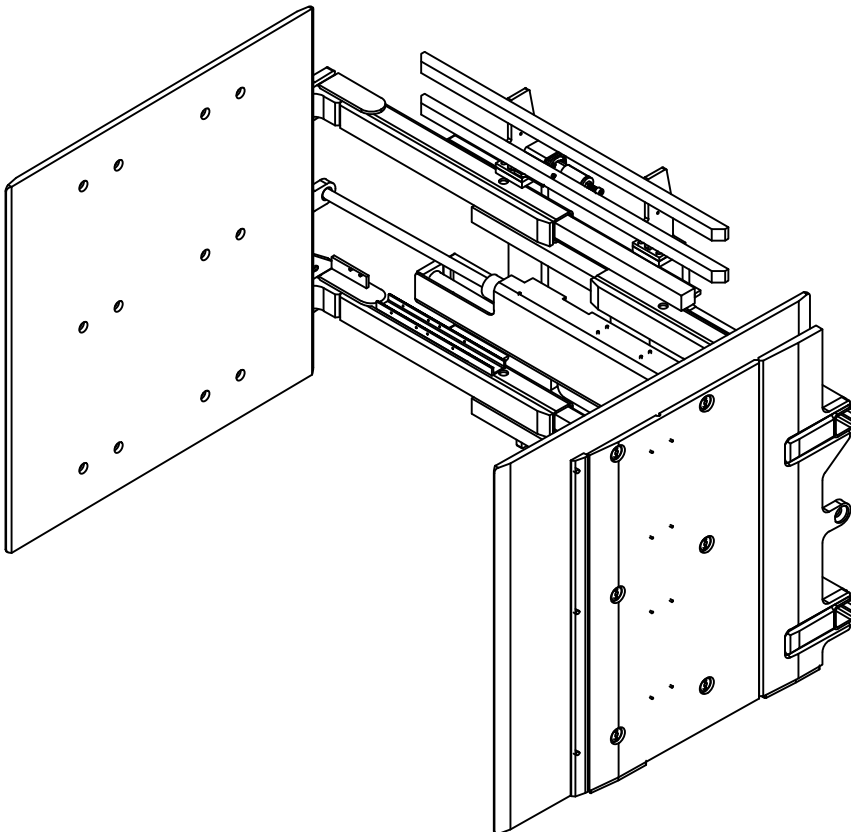




OPERATION MANUAL

SOFT TOUCH CLAMP

PATENT NO. 9,630,821
PATENT NO. 10,597,272



CONTENT:

PAGE

1	Daily Inspection Weekly Service Load Handling Techniques
2-3	Picking Up Product
4-5	Depositing Product
6-7	Loading / Unloading in Trailers / Boxcars
8	Safety Precautions
9	Notes

DAILY INSPECTION

Be sure the truck is shut off prior to inspection.

1. Check water pressure gauge. If out of operating range, adjust as required using the LORON hand pump #112909 and pure propylene glycol antifreeze mixed 1:1 with water.
2. Check level of hydraulic oil in lift truck hydraulic reservoir.
3. Check for presence of hydraulic oil on attachment indicating possible leaks.
4. Visually inspect mounting points to be sure the attachment is securely mounted to the lift truck.
5. Inspect pads for damage.
6. Actuate attachment functions. Report any unusual behavior to your supervisor.

WEEKLY SERVICE

Be sure the truck is shut off prior to any inspection and service.

1. Check all hydraulic fittings, hoses, cylinders and valves for leakage. Repair or replace them as required.
2. Check hoses for pinch points and signs of wear. Contact supervisor if hoses are badly worn, have cuts, bulges, or are fraying.
3. All bolts should be checked and tightened as necessary.
4. Inspect all weld joints for signs of cracking.

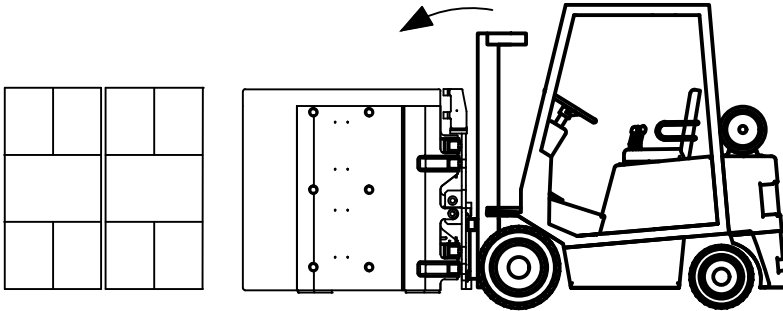
LOAD HANDLING TECHNIQUES

In the following pages you will find a suggested method for basic load handling. Experienced operators often develop their own techniques as they gain confidence in the equipment and their abilities. The examples show how to handle a load using a soft touch clamp.

PICKING UP PRODUCT - 1

Step 1:

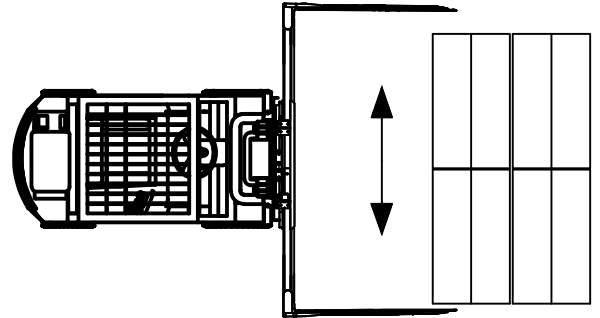
1-1) Stop in front of the load, tilt mast vertical.



1-2) Align the bottom of the attachment to bottom of the load.

Step 2:

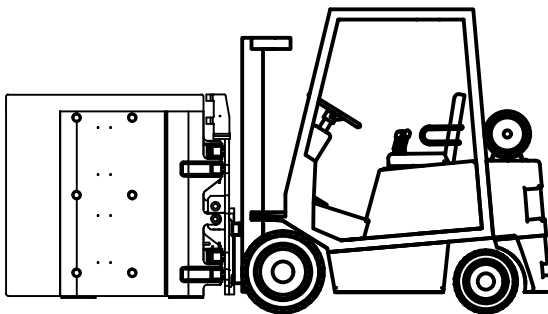
2-1) Square the truck to load and open the arms for clearance.



2-2) Align by sideshifting.

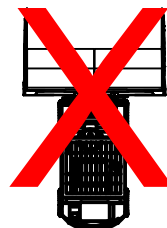
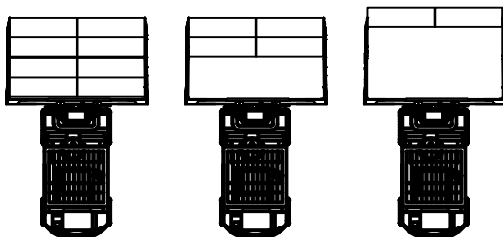
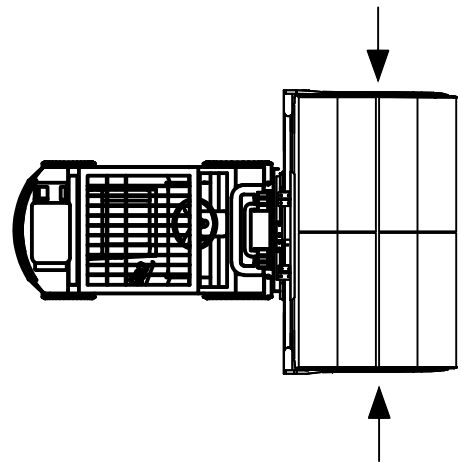
Step 3:

3-1) Drive forward to engage the load. See illustrations below for proper load handling.



Step 4:

4-1) Clamp at full speed and hold for two seconds.



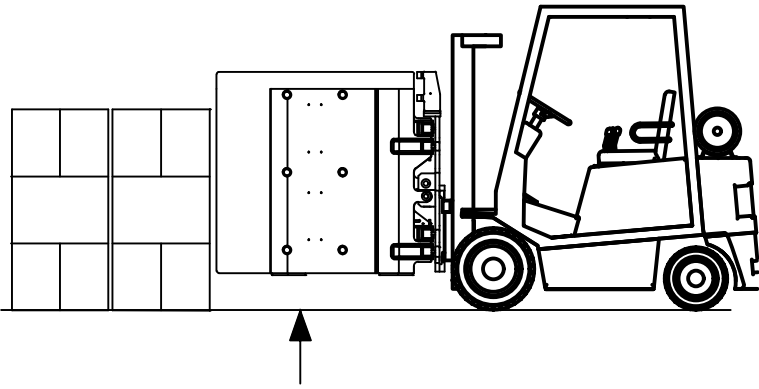
Clamped product should be positioned so that the load is even with the leading edge of the pad.

Approved methods of Product handling for different loads.

PICKING UP PRODUCT - 2

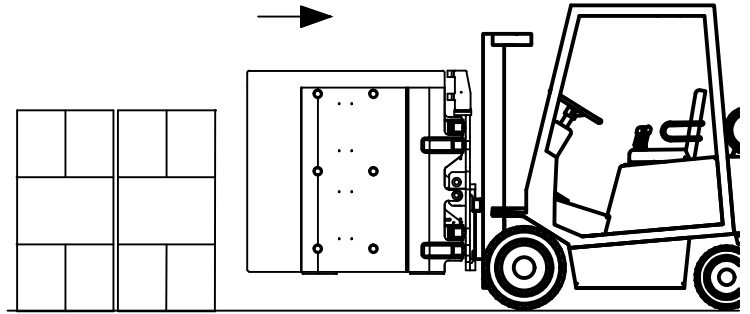
Step 5:

5-1) Raise load for clearance of stack or floors. (Check for ceiling clearance).



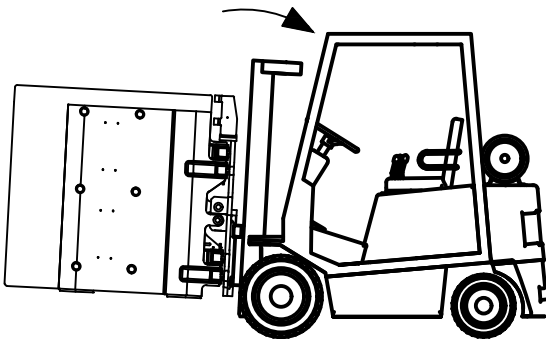
Step 6:

6-1) Drive back slowly from other boxes or the stack.



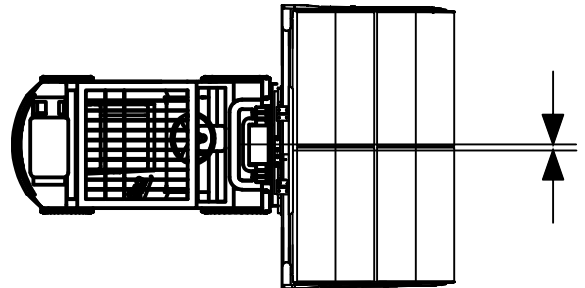
Step 7:

7-1) Lower the load from the stack.
7-2) Tilt the load back for transport.



Step 8:

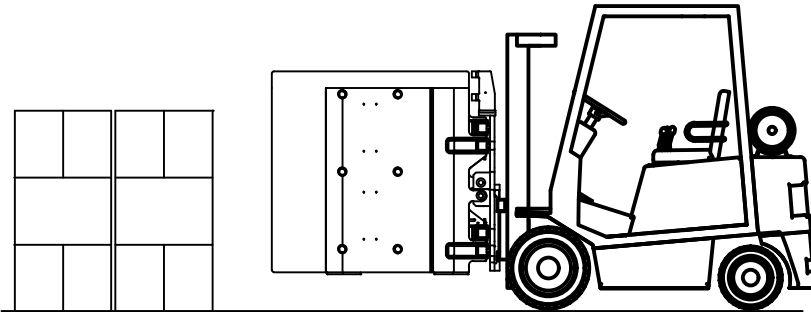
8-1) Center the load to truck.



DEPOSITING PRODUCT - 1

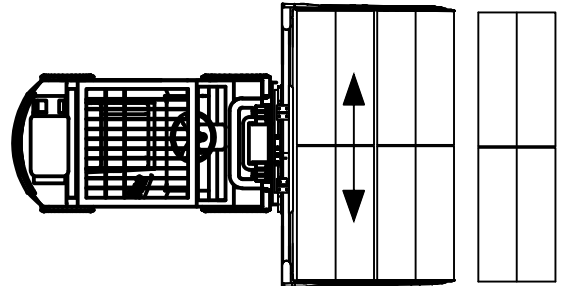
Step 1:

1-1) Stop in front of the stack, tilt mast vertical.



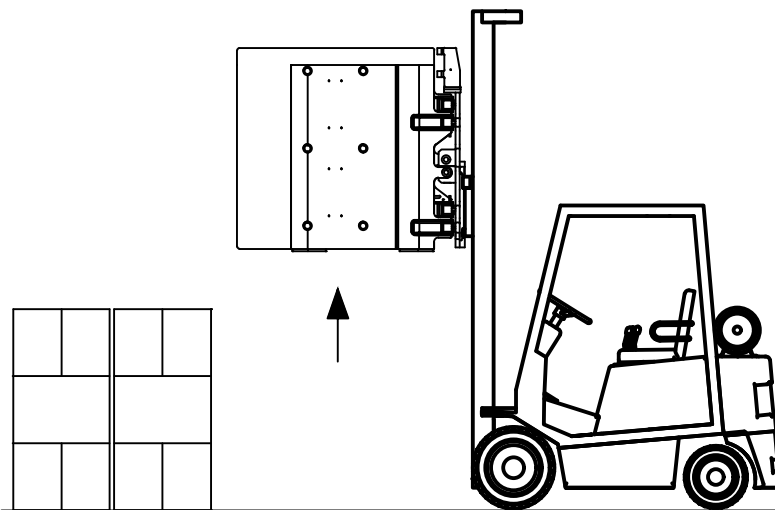
Step 2:

2-1) Square the truck to the stack.



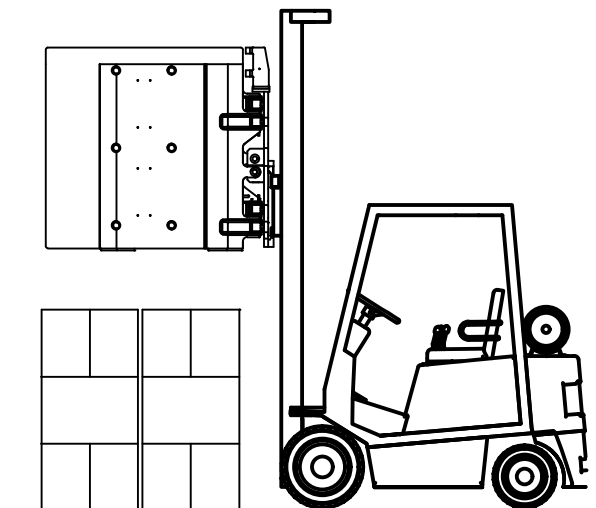
Step 3:

3-1) Raise load for clearance of stack. (Check for ceiling clearance).



Step 4:

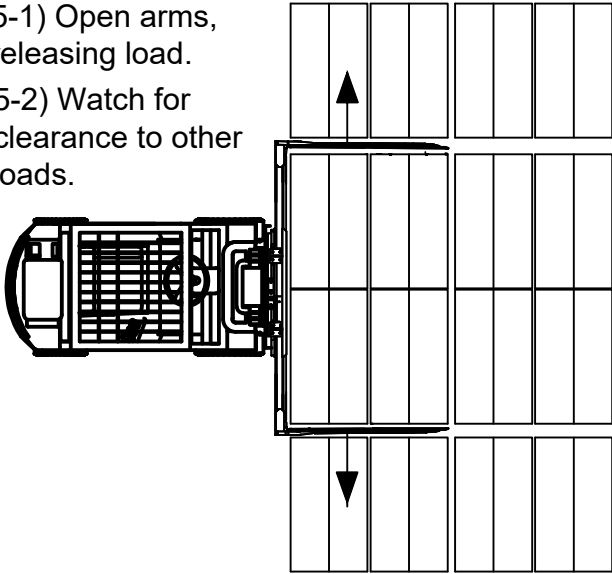
4-1) Drive the truck slowly forward.
4-2) Square the load to the stack and lower the load slowly.



DEPOSITING PRODUCT - 2

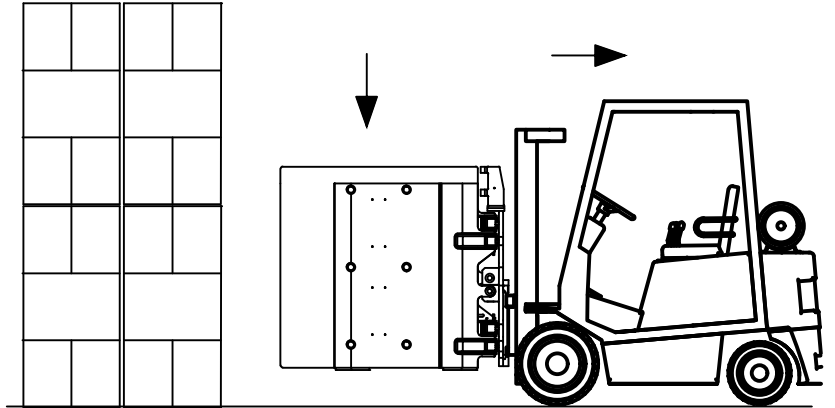
Step 5:

- 5-1) Open arms, releasing load.
- 5-2) Watch for clearance to other loads.



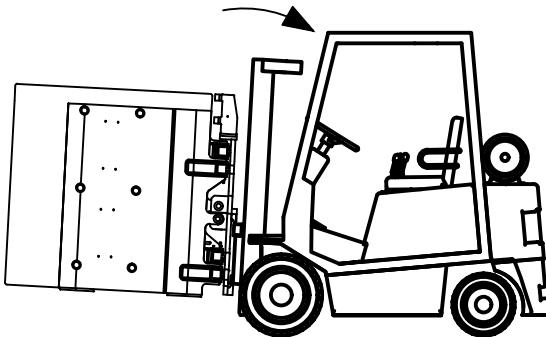
Step 6:

- 6-1) Drive back slowly from the stack.
- 6-2) Lower the attachment.



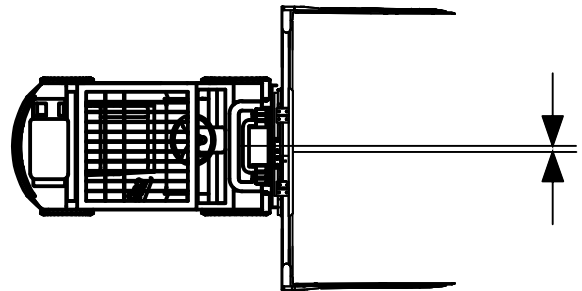
Step 7:

- 7-1) Tilt the mast back.



Step 8:

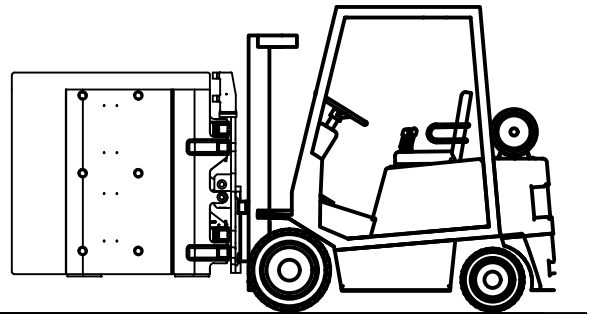
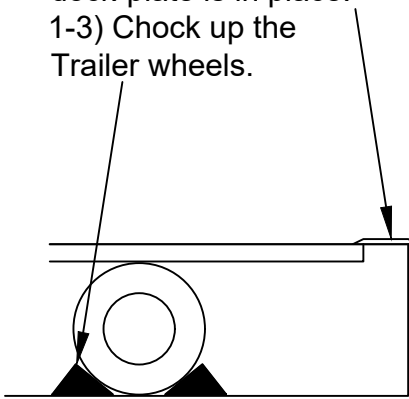
- 8-1) Center the attachment to the truck.



LOADING / UNLOADING IN TRAILERS / BOXCARS -1

Step 1:

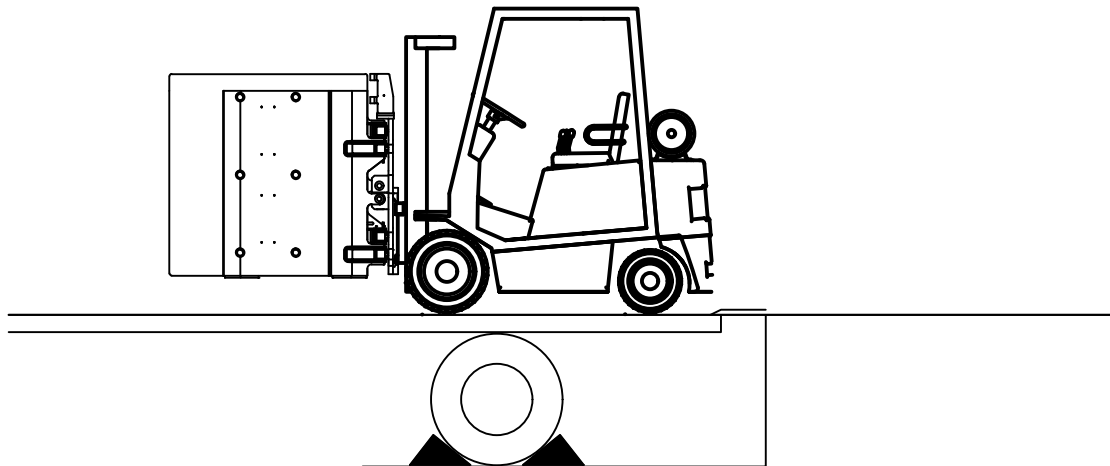
- 1-1) Inspect trailer for damage before unloading or loading.
- 1-2) Make sure the dock-plate is in place.
- 1-3) Chock up the Trailer wheels.



CAUTION: slow over dock-plates

Step 2:

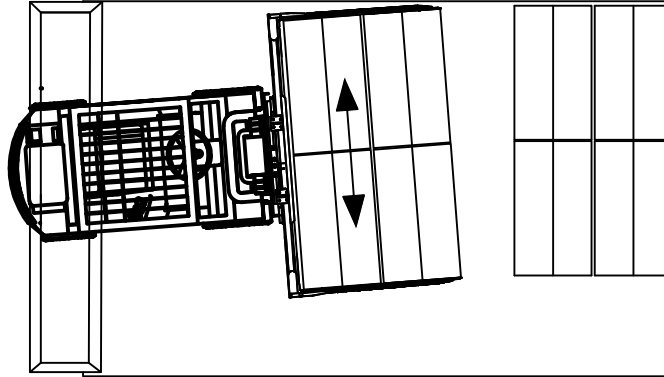
- 2-1) Watch for clearance when entering or exiting with a load.
- 2-2) Stay centered in the trailer and brake gently.



LOADING / UNLOADING IN TRAILERS / BOXCARS - 2

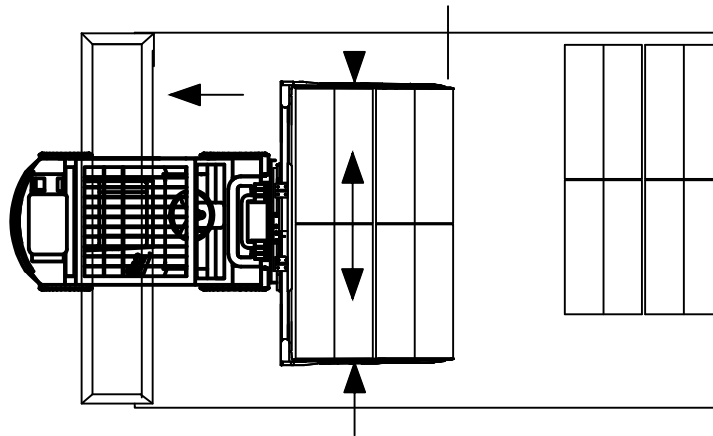
Step 3:

- 3-1) Position the arm between the load and trailer wall.
- 3-2) Use side shift to move the load away from the wall



Step 4:

- 4-1) Clamp at full speed and hold for 2 seconds.
- 4-2) Raise load for clearance (check for ceiling clearance)
- 4-3) Back up slowly.



SAFETY PRECAUTIONS

Please follow the safety precautions below to help prevent personal injury or damage:

Prior to operating the lift truck and attachment you must receive proper training and get certification as an operator.

Know the capacity of the lift truck and the attachment. Handle loads weighing at or less than the lowest stated maximum capacity only. Truck and attachment may have different maximum capacities.

When leaving truck, lower attachment to floor, shut off truck, place transmission in park (or put in gear for trucks with manual transmissions) and set the hand brake.

Transport loads near to the floor with mast tilted back.

Obey speed limits. Drive only in designated aisle. Obey all stop and caution signs. Sound horn at blind spots.

Back straight down inclines. Drive straight forward up inclines.

If load obstructs view drive truck in reverse.

If load is unstable or separating, restack load prior to handling.

Always keep arms and legs within the confines of the operator's compartment.

Keep others off of and out from under the attachment at all times, whether empty or loaded.

Operate the attachment only if it is in good condition and functioning properly.

Always keep clear of moving parts while truck is turned on. Avoid pinch points.

Use the attachment only as specified in the manual or instructed by your supervisor or trainer. Misuse can lead to damage to the load or attachment and may cause personal injury.

NOTES
