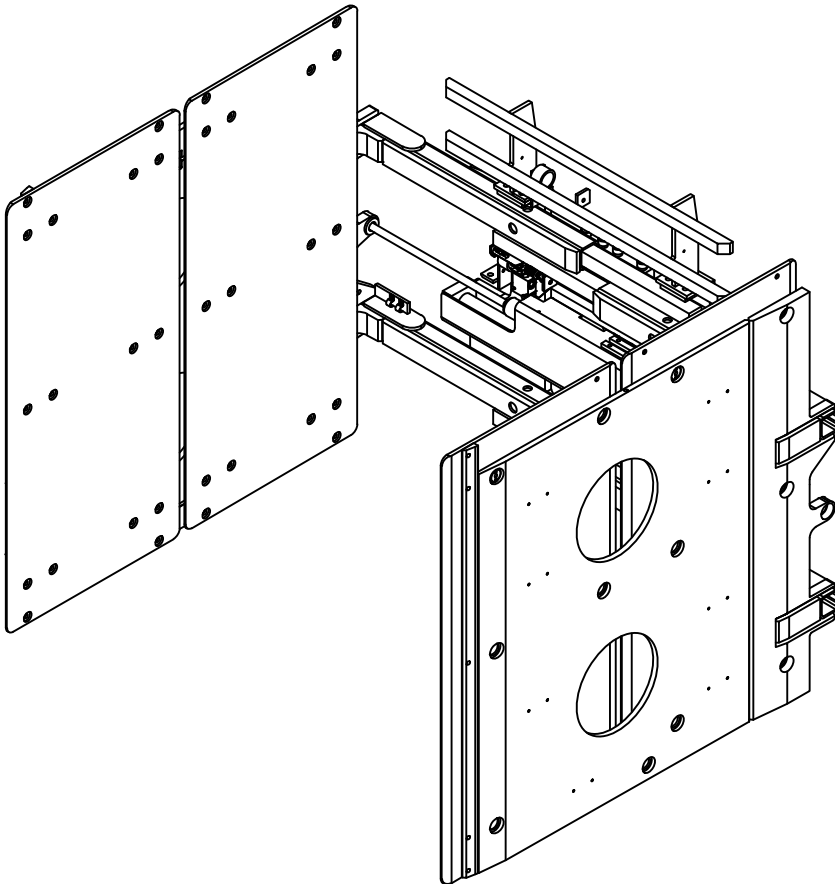




SERVICE MANUAL / PARTS LIST

APPLIANCE CLAMP SOFT TOUCH

MODEL #113242
PATENT NO. 9,630,821
PATENT NO. 10,597,272



CONTENT:

PAGE

1	Lift Truck Requirements General Installation Procedures General Inspection & Maintenance
2-3	Clamp Assembly
4	Arm Group Assembly
5-8	Floating Pad Assembly
9-11	Hydraulic Assembly
12	Cylinder Assembly
13	Clamp Adjustments
14	Control Valve
15	Clamp Force Control Valve
16	Arm Slide & Shim Replacement
17	Trouble Shooting Guide

Specifications:

Mounting: Class II
Side Shifting: Internal Side Shifting
Capacity: 1600 lbs at 24"
Pad Size: 48" High x 51" Long
Range: 22.0" - 82.0"
Frame: 46" Wide

425 Hazel St.
Kelso WA 98626
(800) 248-6079
Fax (360) 578-9934

LIFT TRUCK REQUIREMENTS

Capacity shown on the clamp's name plate is for the clamp only. The combined truck and clamp capacity is provided by the lift truck manufacturer.

Recommended Truck Pressure: 2300 to 2400 PSI (159 to 165 bar).

Hydraulic fluid: petroleum based hydraulic fluid only.

Hydraulic supply group: includes hoses and take-up - one for each function.

Auxiliary valves: 2 function (Side Shift & Clamp) = double auxiliary valve.

Oil Volume Settings:

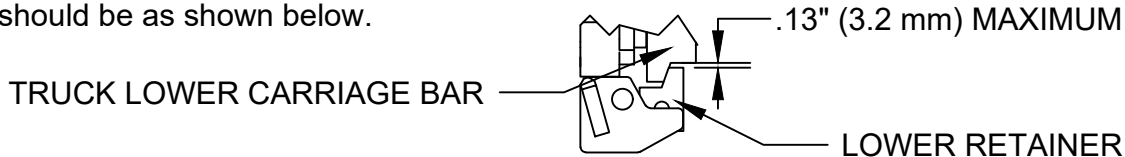
Side Shift = 3 GPM

Clamp Open/Close = 7 GPM

NOTE: Three Position Force Selector must be disabled.

GENERAL INSTALLATION PROCEDURES

1. Make sure that the attachment centering lug is correctly seated in truck carriage center notch.
2. Clearance between the lower retainers that hold the attachment to the truck lower carriage bar should be as shown below.



3. Connect hydraulic jumper hoses from the truck's supply group to the attachment's main manifold.
4. Standing clear of the clamp attachment, cycle the attachment in and out several times. Partially filled hydraulic lines may cause erratic movement.

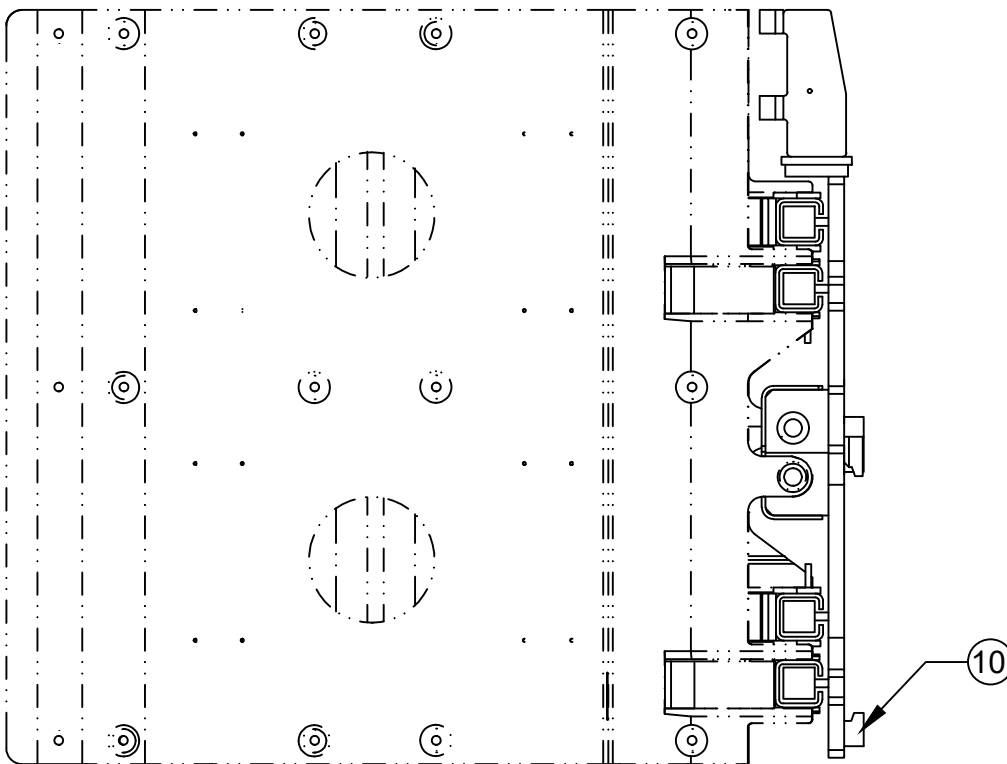
GENERAL INSPECTION AND MAINTENANCE

1. Check all hydraulic fittings, hoses, cylinders and valves for leakages - repair or replace as required.
2. Check bladder system pressure. If out of operating range adjust as required using the LORON hand pump (PN: 112909) and pure propylene glycol antifreeze mixed 1:1 with water. Check clamp force and adjust.
Time Schedule: Check bladder pressure every day and clamp forces every 3 weeks
Bladder System Pressure: 4 - 6 PSI
3. All bolts should be checked and tightened as required.
4. Check lower retainer clearance - see item 2 in the General Installation Procedures above.

CLAMP ASSEMBLY-1

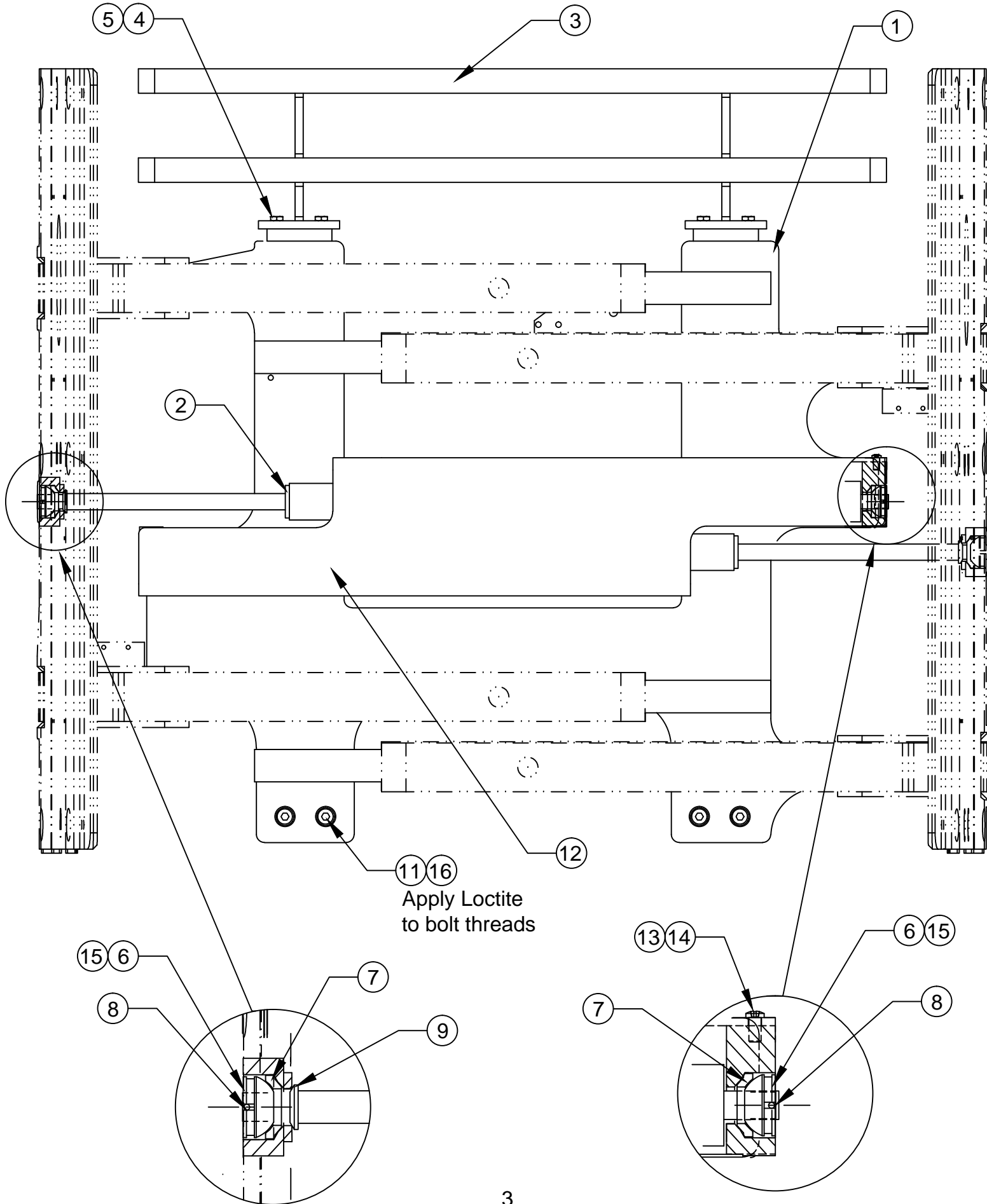
Drawing reference 112859.1

#	QTY	PART #	DESCRIPTION
1	1	112872	Frame
2	2	111372.3	Cylinder Assembly
3	1	111652.2	Load Backrest
4	8	1C.0820	Bolt
5	8	4E.08	Lock washer
6	4	110731	Spherical Bearing
7	4	110730	Spherical Seat
8	4	100574.83	Cotter Pin
9	2	111380	Cylinder Rod Washer
10	2	112990	Lower Retainer
11	4	11G.1028	Bolt
12	1	111059	Cylinder Guard
13	4	25GN.0612	Bolt
14	4	109528	Nord-Lock Washer
15	4	100029.314	O-Ring
16	4	16E.10	Lock Washer



CLAMP ASSEMBLY-2

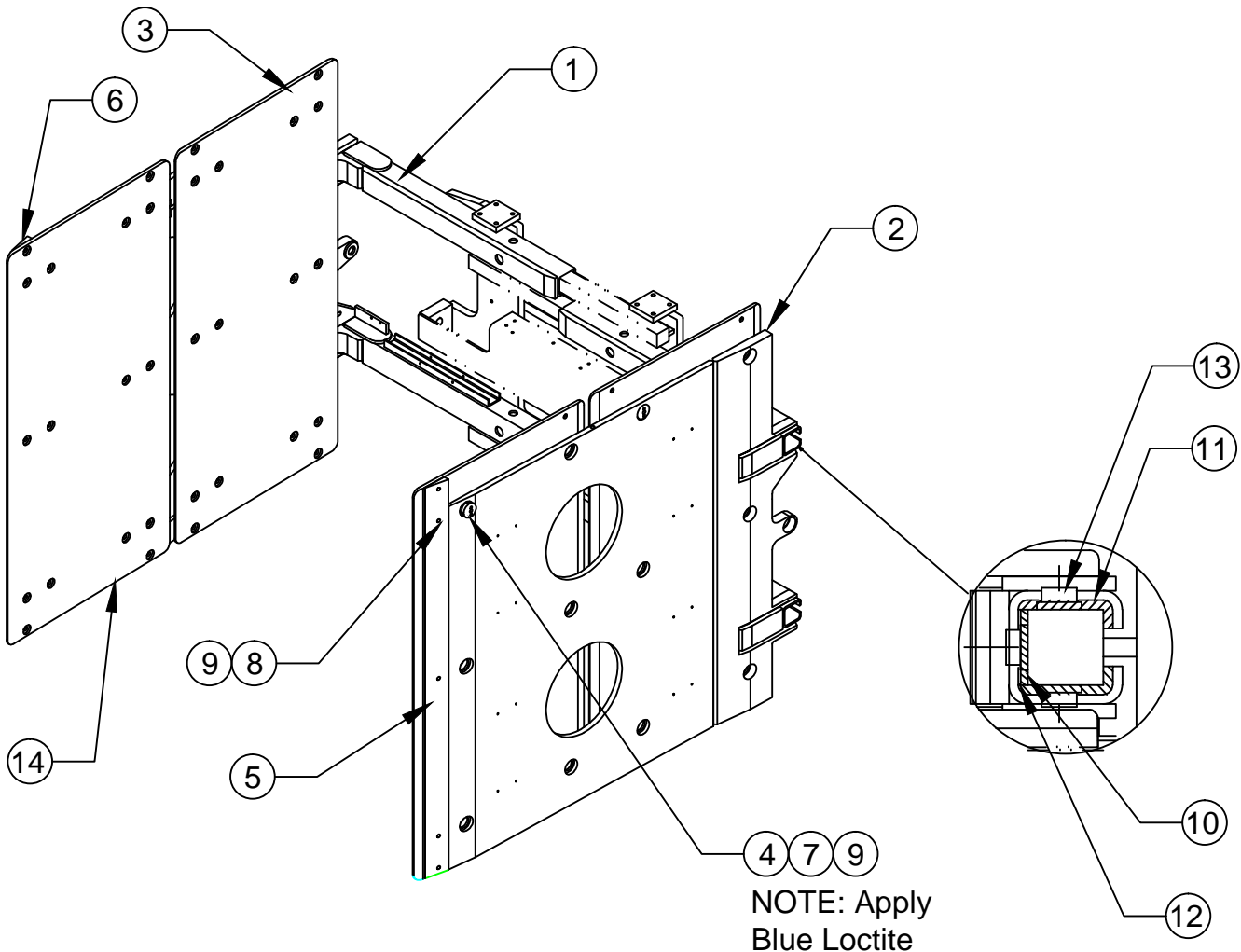
Drawing reference 112859.1



ARM GROUP ASSEMBLY

Drawing reference 111582.2

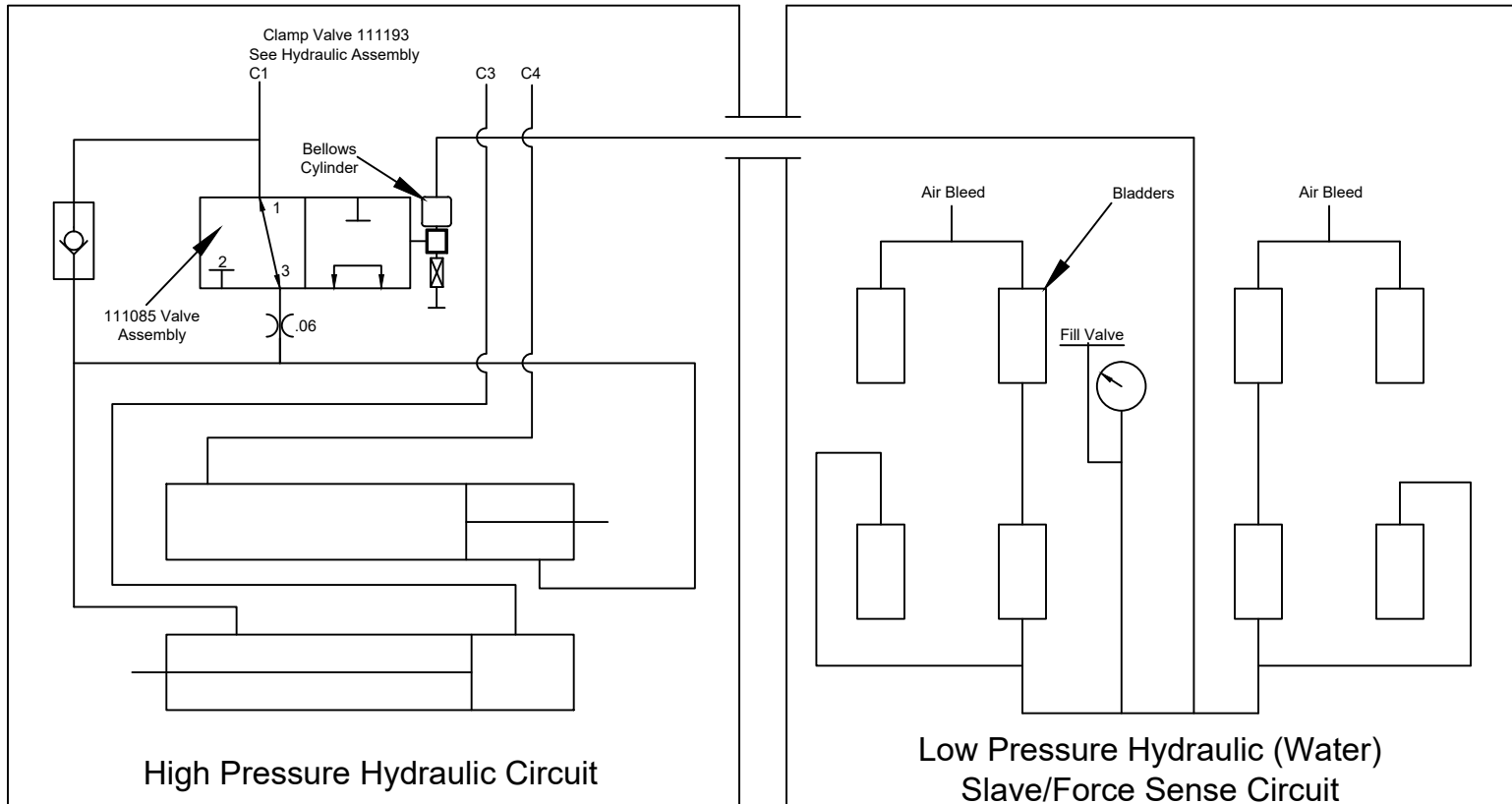
#	QTY	PART #	DESCRIPTION
1	1	113459	Right Hand Arm Weldment
2	1	113460	Left Hand Arm Weldment
3	4	113457	Contact Pad
4	24	111031	Retaining Nut
5	1	113467	Left Hand Tip Plate
6	1	113467	Right Hand Tip Plate
7	24	1C.0820	Bolt
8	6	1C.0812	Bolt
9	30	108088	Spring Washer
10	4	111622.1	Flat Slide
11	8	111621.1	Angle Slide
12	12	109212.4	Shim
13	12	111619	Slide Button
14	2	113458	Front Pad



FLOATING PAD ASSEMBLY-1

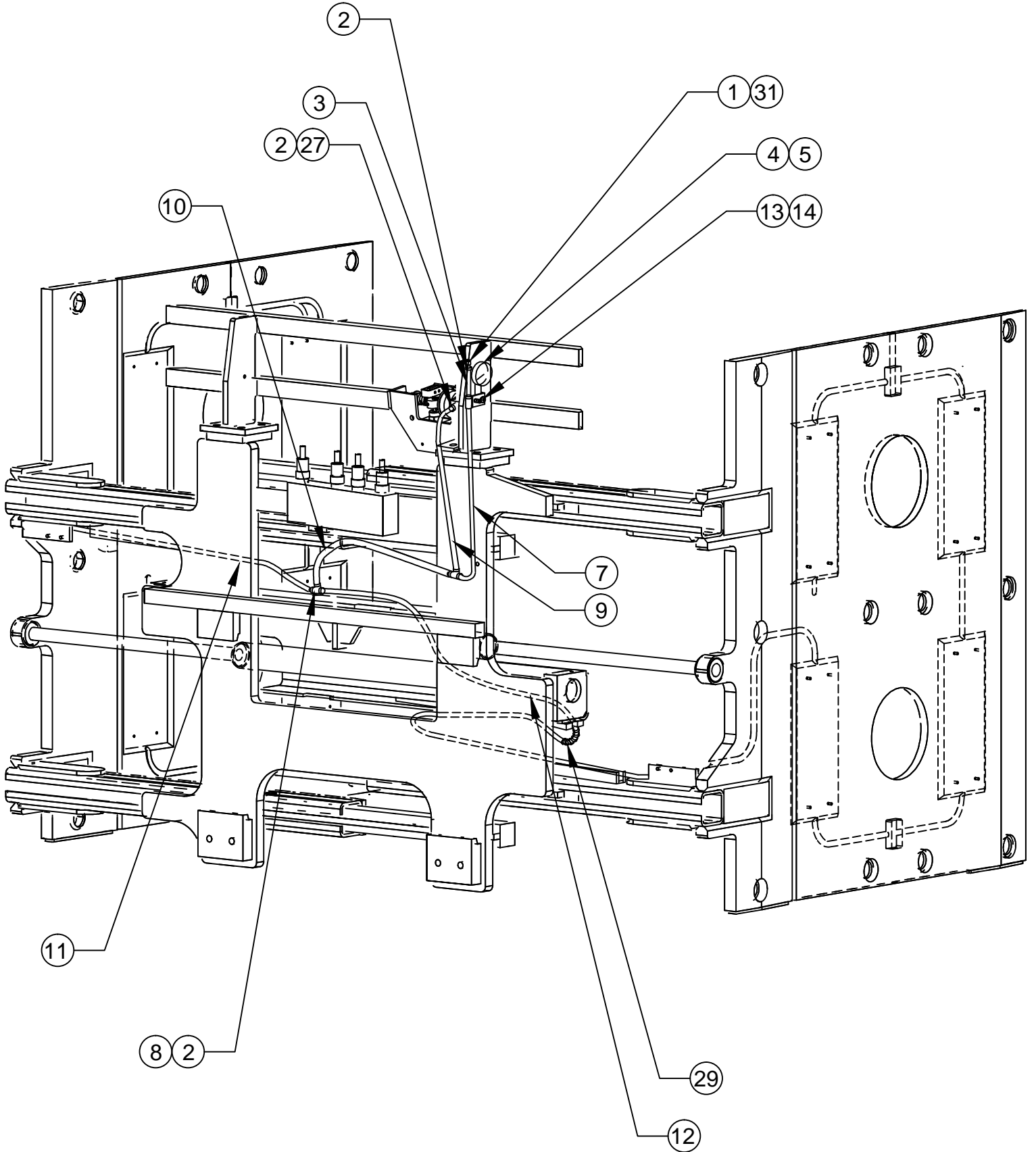
Drawing reference 112875.1

#	QTY	PART #	DESCRIPTION
			18 2 111290.0250 Hose
1	3	111350	Air Tank Valve
			19 8 111030 Bladder
2	12	111295	Hose Clamp
			20 32 9G.0412 Bolt
3	1	111290.0025	Hose
			21 16 111471 Clamp Bar
4	1	111296	Pressure Gauge
			22 8 109256 Hose Clamp
5	1	111543.01	90° Elbow Fitting
			23 8 25G.0508 Bolt
6	1	111292	Branch Tee
			24 2 113026.0360 Cover Hose
7	1	111290.0178	Hose
			25 4 111128 Hose Guide
8	4	111293	Run Tee
			26 12 25G.0512 Bolt
9	1	111290.0155	Hose
			27 1 111289 Pipe Elbow
10	1	111290.0175	Hose
			28 2 111654 Plug
11	1	111290.0805	Hose
			29 2 111510 Spring
12	1	111290.0930	Hose
			30 16 111878 19 Gauge Stainless Wire Tie
13	1	111299	Hose Clip
			31 3 111653 Valve Cap
14	1	25G.0520	Bolt
			32 2 111290.0118 Hose
15	2	111290.0027	Hose
			33 1 111085 Direction Valve Assembly R
16	2	111290.0127	Hose
			34 2 111316 Hose Extrusion w/Holes
17	2	111290.0085	Hose
			35 8 3G.0808 Bolt



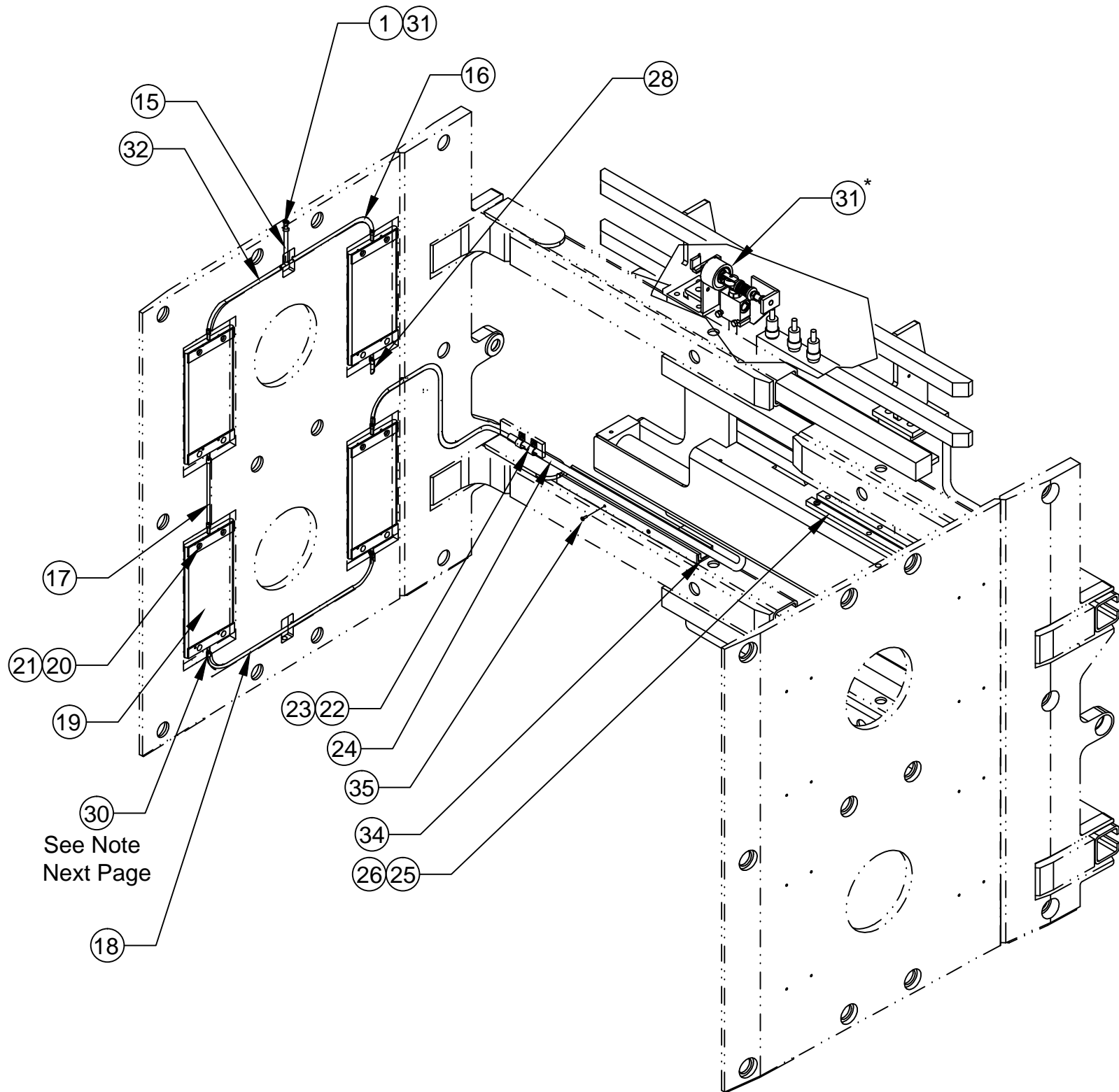
FLOATING PAD ASSEMBLY-2

Drawing reference 112875.1



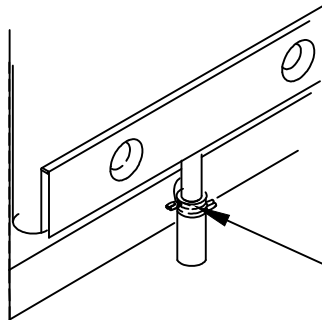
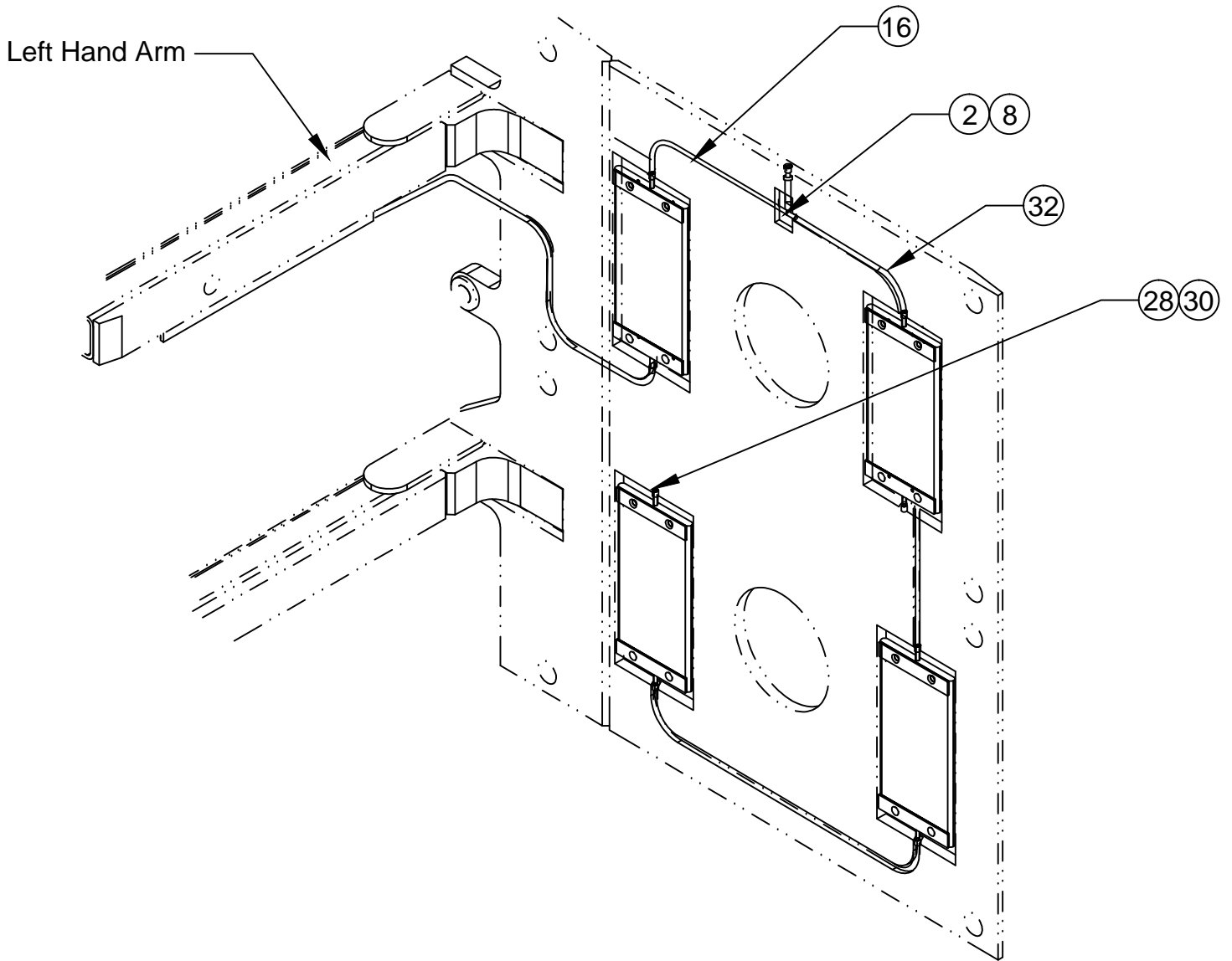
FLOATING PAD ASSEMBLY-3

Drawing reference 112875.1



FLOATING PAD ASSEMBLY-4

Drawing reference 112875.1

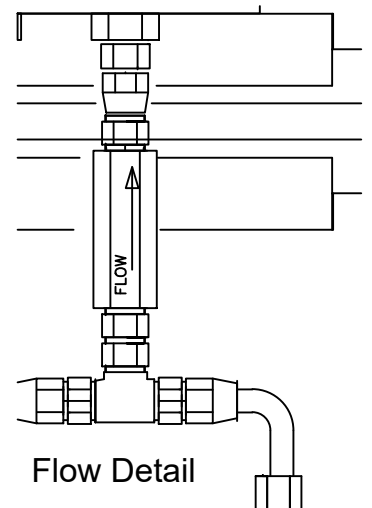
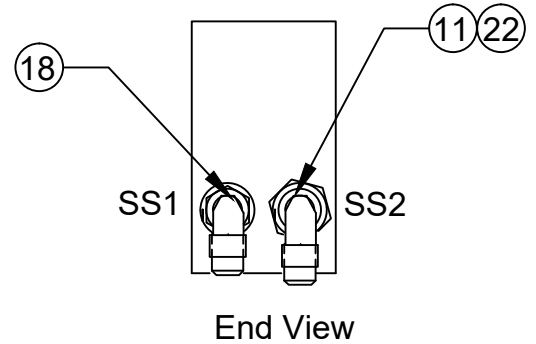
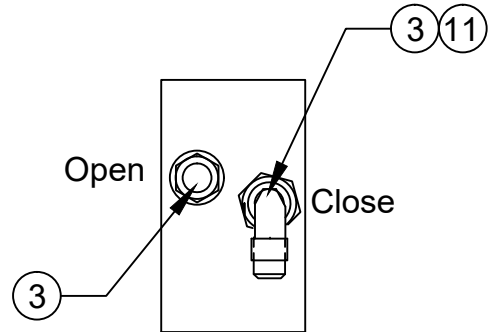


NOTE: Use two 19 gauge stainless steel wire ties (111878) at each bladder connection. Twist to tighten and clip to reduce ends

HYDRAULIC ASSEMBLY-1

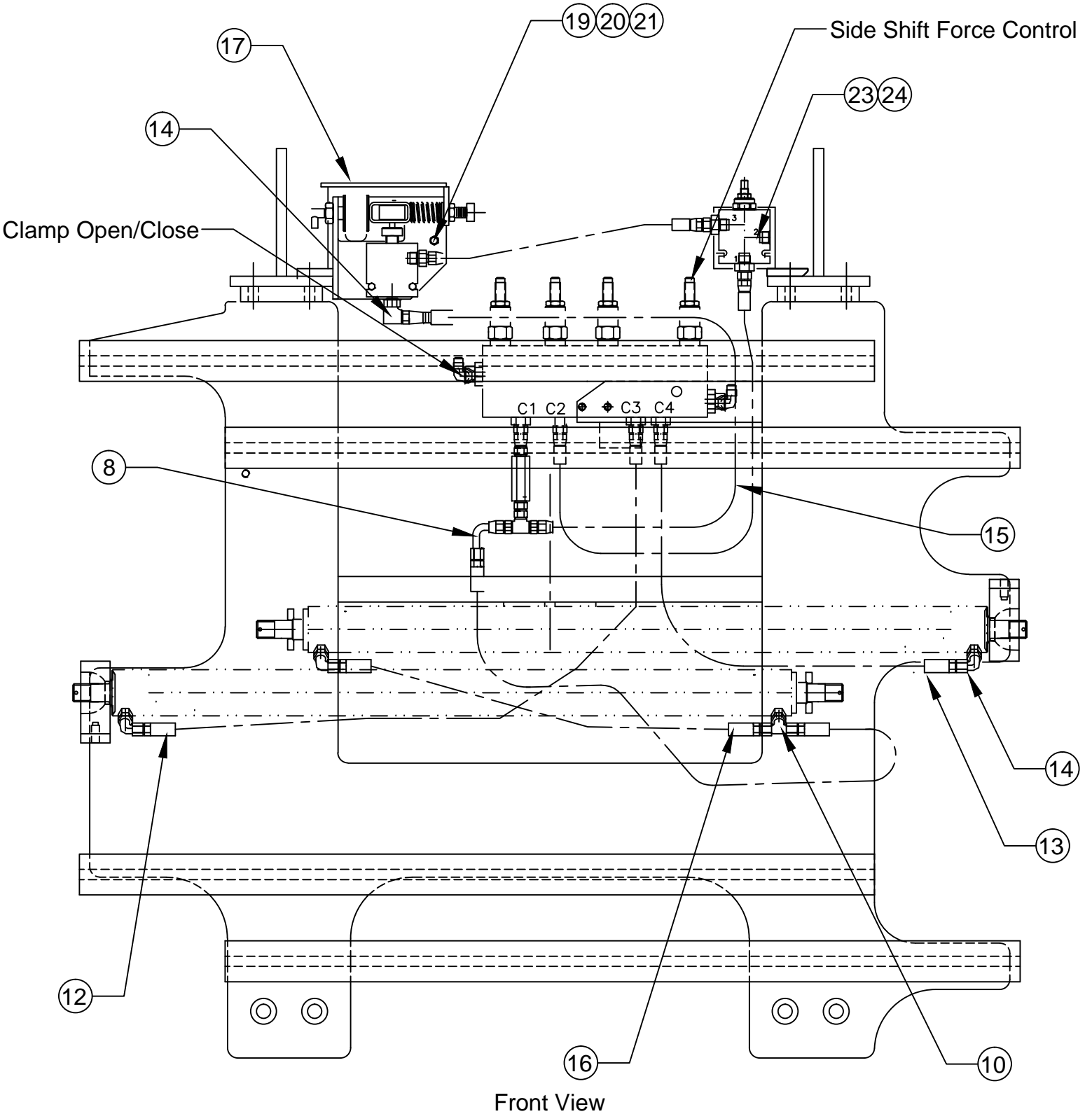
Drawing reference 113443

#	QTY	PART #	DESCRIPTION
1	1	111193	Clamp Valve
2	2	25G.0524	Bolt
3	8	100676.05	Straight Thread Adapter
4	2	111518.06	Adapter Fitting
5	1	111085	Directional Valve Assembly
6	1	100227.05	Union Tee Fitting
7	1	111123	In-Line Check Valve
8	1	103411.0330	Hose
9	1	100674.	Hose
10	1	100678.05	Tee Branch Fitting
11	2	100440.05	90° Swivel Fitting
12	1	100674.0340	Hose
13	1	100674.0245	Hose
14	4	100095.05	90° Fitting
15	1	100674.0332	Hose
16	1	100674.0205	Hose
17	1	111514	Valve Guard
18	1	100222	90° Resistor Fitting
19	1	25G.0616	Bolt
20	1	4F.05	Flat
21	1	17D.06	Nylock Nut
22	1	109626.1	Straight Restrictor Fitting
23	1	113395	Valve Mounting Weldment
24	1	113403	Flow Regulator Assembly
25	1	100674.	Hose



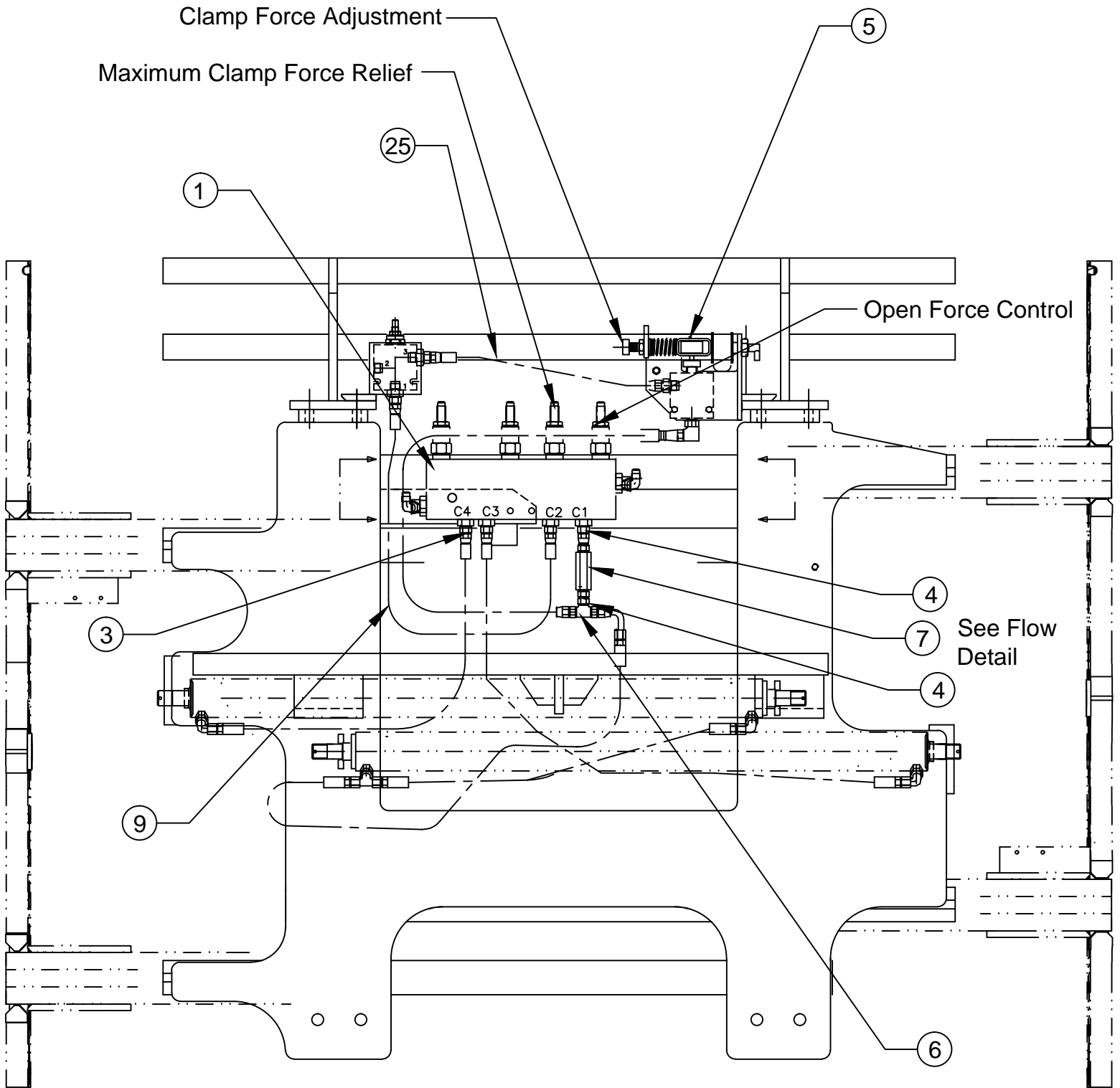
HYDRAULIC ASSEMBLY-2

Drawing reference 113443



HYDRAULIC ASSEMBLY-3

Drawing reference 113443



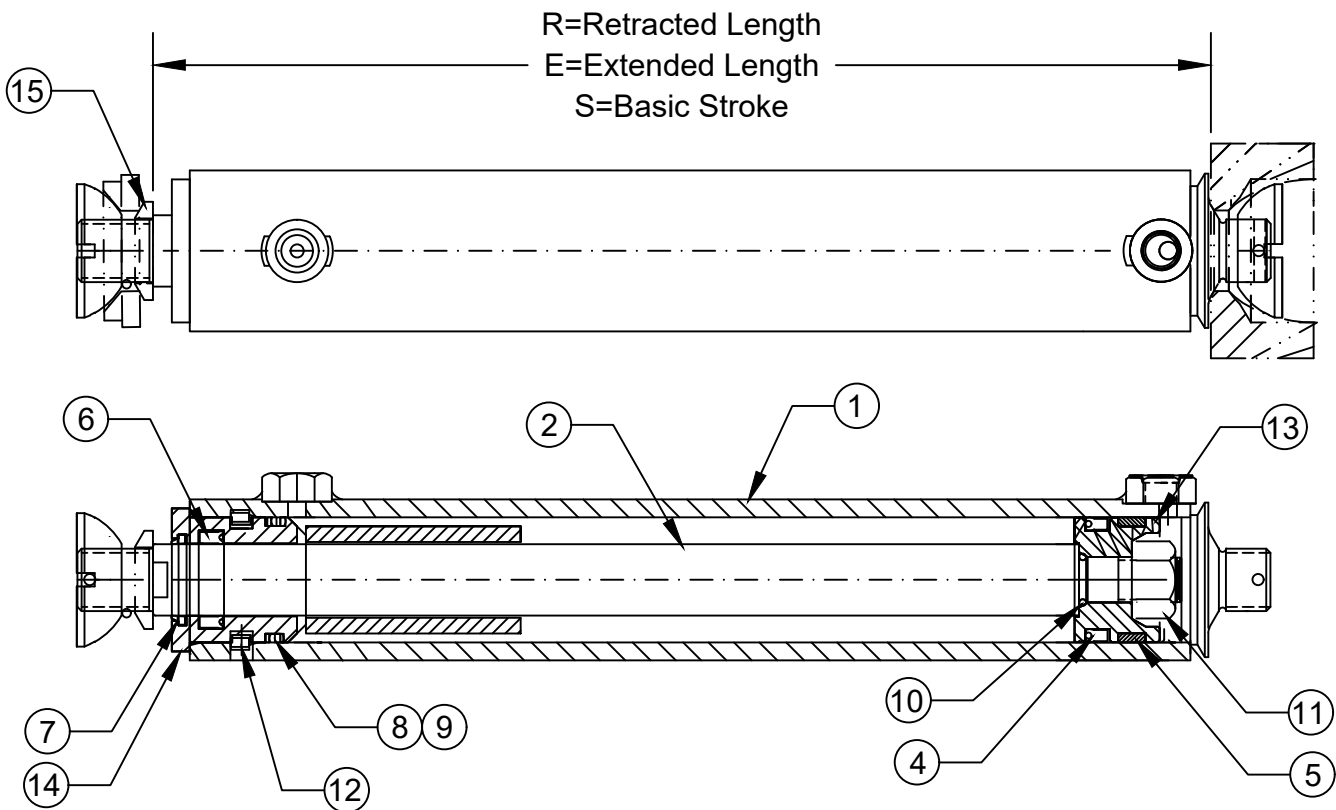
Back View

CYLINDER ASSEMBLY

Drawing reference 111372.3

Part #	R	E	S	NET STROKE
111372.3	34.00	64.00	30.00	30.00

#	QTY	PART #	DESCRIPTION	8	1	100029.2	O-Ring
1	1	111375.3	Tube Weldment	9	1	100028.2	Back-Up Ring
2	1	111379.3	Rod	10	1	100029.201	O-Ring
3	1	111482	Seal Kit (Items 4-10)	11	1	27D.10	Nut Self Locking
4	1	100032.6	Poly-Pak "B"	12	1	100027.7	Lock Wire
5	1	102099.1	Wear Ring	13	1	111374	Piston
6	1	112905	Rod Seal	14	1	111373	Gland
7	1	102098.5	Rod Wiper	15	1	111380	Washer Cylinder



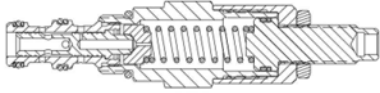
Cylinder Service

- Prior to assembly lubricate seals, cylinder bore and rod with STP.
- Inspect all parts for scratches, nicks and gouges - replace all damaged components.
- Inspect cylinder bore and rod for scoring - replaced if scored.
- Avoid damage to seal grooves - use a dull screwdriver for seal removal.
- Torque piston nut to 110 FT/LBS. (15.3kg-m).

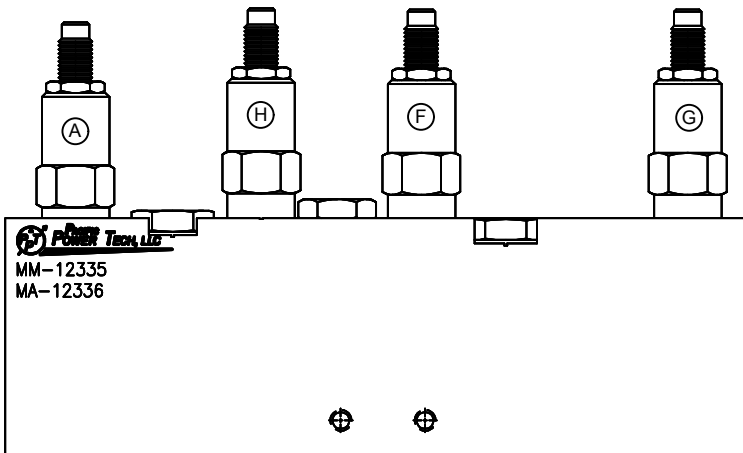
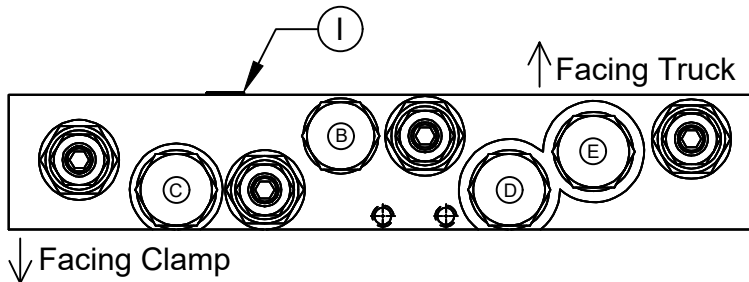
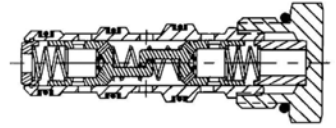
CONTROL VALVE

Drawing reference 111193

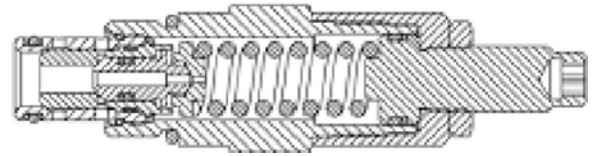
(A) **111627** Pressure Reduce/Relief Valve
Torque 15-20 FT/LBS
Seal Kit 112065



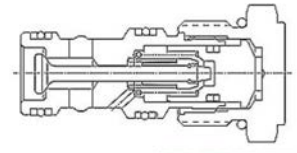
(B) **112887** Flow Divider
Torque 10-12 FT/LBS
Seal Kit 104711



(H)(G) **112406.1** & (F) **112406.2** Relief Valve
Torque 20-25 FT/LBS
Seal Kit 112064



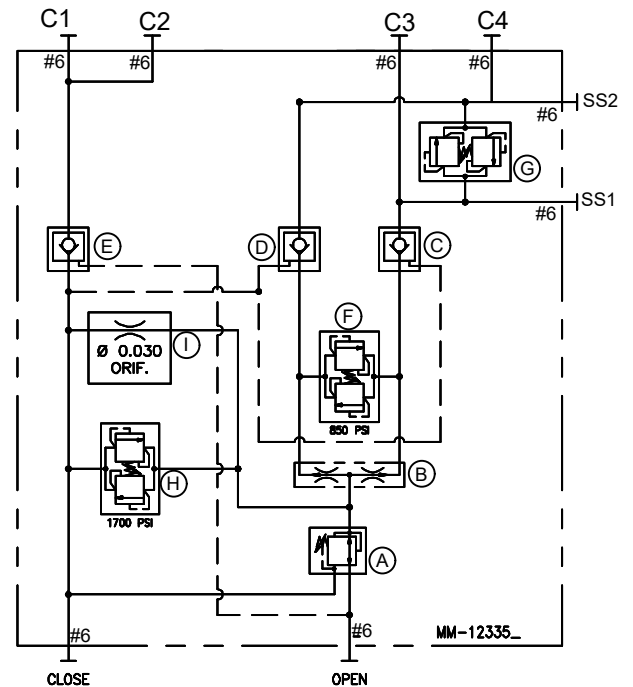
(C)(D)(E) **111244** Check Valve
Torque 30-35 FT/LBS
Seal Kit 112059



NOTE: Lubricate threads & seals prior to assembly.

QTY	PART #	DESCRIPTION
1	111627	Pressure Reducer Valve
1	103813	Flow Divider
2	112406.1	Relief Cartridge
1	112406.2	Relief Cartridge
1	00.030 ORIFICE	1/16" NPT Orifice Plug
3	111244	Check Valve

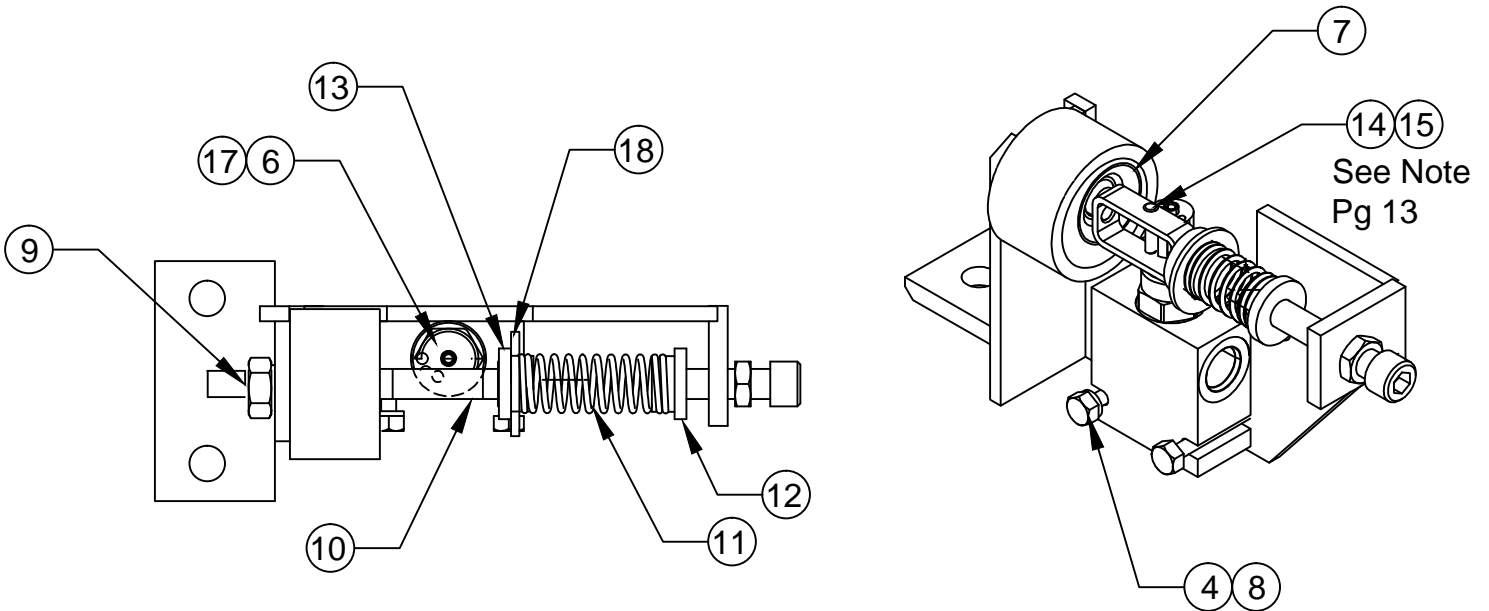
HYDRAULIC SCHEMATIC



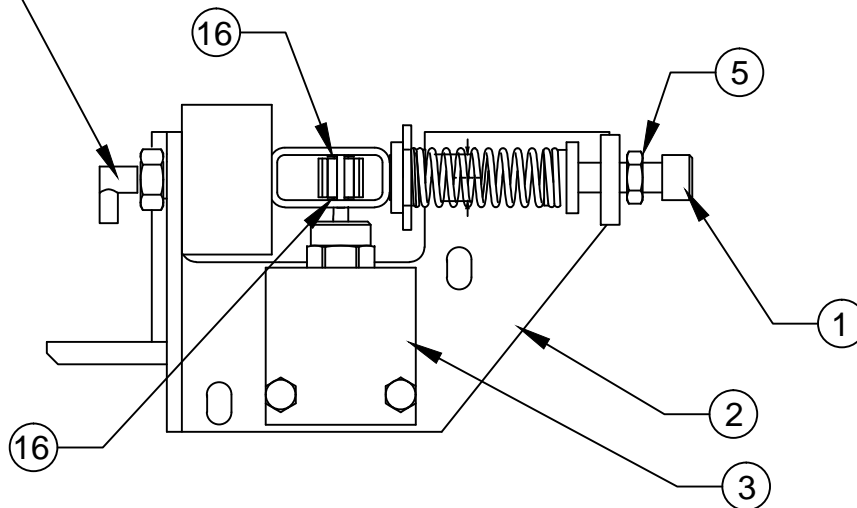
CLAMP FORCE CONTROL VALVE

Drawing reference 111085

#	QTY	PART #	DESCRIPTION
1	1	11G.0844	Bolt
2	1	111573	Mounting Plate Weldment
3	1	111094	Directional Valve
4	2	4E.04	Lock Washer
5	1	7D.08	Jam Nut
6	1	110906	Wheel
7	1	111091	Air Spring
8	2	1C.0424	Bolt
9	1	7D.10	Hex Nut
10	1	111328	Wheel Housing
11	1	111097	Spring
12	1	111098	Spring Tension Cap
13	1	111572	Spring Cap
14	1	111655	Clevis Pin
15	1	100574.28	Cotter Pin
16	1	113234	Nylon Washer
17	1	15G.0408	Set Screw
18	1	113233	Washer
19	1	113235	Nylon Washer

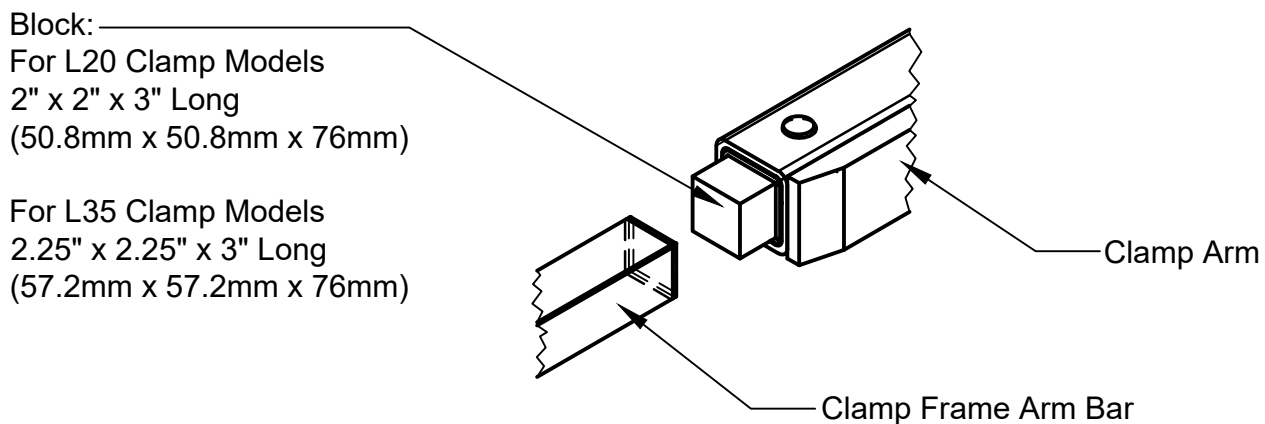


Reference 111289 see floating pads assembly



ARM SLIDE & SHIM REPLACEMENT

1. To replace the slides, the arms need to be in the fully open position. Release system pressure prior to removing the arms by turning the truck off and working the side shift and clamp function controls several times.
2. Support the arm with an overhead crane or lift truck. Be sure to secure the chain or sling in a manner that prevents the arm from falling out of the chain or sling when hanging free of the clamp.
3. Remove the cotter pin, slotted nut and spherical bearing from the end of the clamp cylinder rod. Keeping hands and feet clear, and carefully slide the clamp arm off of the clamp frame.
4. Inspect slides and slide buttons for wear. Slides may be rotated end-to-end and reused if excessively worn on the outer end only. Extra shims may be used to tighten operating clearance on slightly worn slides. Replace any slides worn to less than 0.15" (3.8mm) thick or any slide that is deeply scored or broken.



5. To aid in replacing the slides a block may be fashioned of wood or another convenient material to the dimensions shown above. The block is inserted to the end of the arm to hold the slides, shims, and buttons in position while the arm is inserted over the arm bars on the clamp frame. The block is expelled out the opposite end of the arm as the arm is pushed onto the frame. Prior to installing the arm the block may be used to determine the number of shims to place under the slides. Adjust the clearance between the slides and the block to provide approximately .06" (1.5mm) running clearance between the slides and arm when installed.
6. Keeping hands and feet clear, carefully slide the clamp arm onto the clamp frame. Be sure the arm moves freely without excessive binding. If the arm is too loose or too tight add or remove shims as required.
7. Install the spherical bearing, slotted nut and cotter pin onto the end of the clamp cylinder rod. Be sure to leave .03"-.06" (.7mm to 1.5mm) clearance to allow the cylinder to "float" on its mountings.

TROUBLE SHOOTING GUIDE

LOADS SLIPPING OR DROPPING

POSSIBLE CAUSES

1. Clamp force set too low.
2. Internal leakage in cylinder.
3. Load too heavy for the clamp capacity.
4. Load may not be stacked correctly or may need to be unitized.
5. Bent arms or contact pads.
6. Damaged / leaking hydraulic hose

SOLUTION

1. Adjust clamp force.
2. Replace cylinder seals. If tube, pistons or rod is scored replace with new parts.
3. Consult factory.
4. Restack or unitize load (shrink wrap).
5. Consult factory.
6. Replace damaged hose.

CRUSHING LOADS

POSSIBLE CAUSES

1. Clamp force set too high.
2. Bent arms or contact pads.
3. Leak in the bladder system.

SOLUTION

1. Adjust clamp force.
2. Consult factory.
3. Check for leaks and repair.

ARM CHATTERING OR ERRATIC MOVEMENT

POSSIBLE CAUSES

1. Bent clamp arms.
2. Nylon slides sticking.
Note: Sticking slides can cause inconsistent force measurements.
3. Nylon slides worn, broken or missing.

SOLUTION

1. Consult factory.
2. Clean slides if necessary, the slides are self lubricating.
3. Replace damaged slides, shims, and retaining buttons.